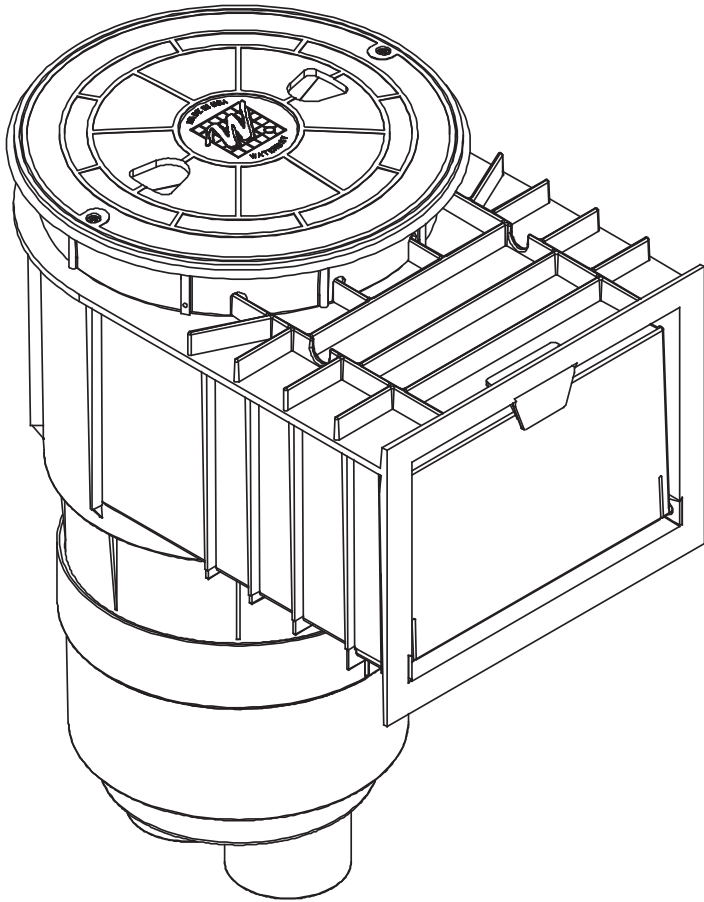


# RENEGADE GUNITE SKIMMER OPERATING INSTRUCTIONS



## NORMAL OPERATION

Water passes over the weir door, down through the basket and float valve assembly to the pump. The trimmer plate on the float valve assembly or the diverter plate are both open.

## ADJUSTING THE SKIMMER FLOW

If the skimmer flow is too fast due to excessive flow rate from the pump, either rotate the float valve trimmer plate or the diverter plate over the port to the pump until required flow is achieved.

## VACUUM/BRUSHING THE POOL

To vacuum the pool, first remove the float valve, then close the diverter plate over the main drain. Install the vacuum plate above the basket and connect the vacuum hose to the vacuum plate to proceed with the brushing operation.

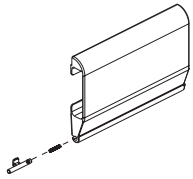
## MULTIPLE SKIMMERS

Rotate the diverter plate at the bottom of the skimmer over the pump port to restrict the flow and balance the flow from each skimmer.

## LOW WATER LEVELS

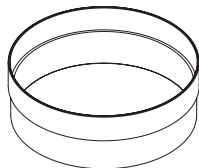
When the water level drops below the weir door, water will no longer flow from the pool through the upper part of the skimmer. The pump will evacuate the remaining water from the skimmer causing the float valve to close and water will flow from the main drain only, or until the water level is increased. The same can occur when and if the basket gets filled with leaves and debris.

## RENEGADE GUNITE SKIMMER REPLACEMENT PARTS

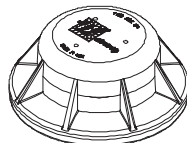


### Replacement Weir Door

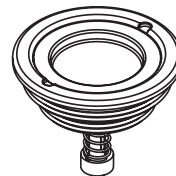
550-9950 White  
 550-9951 Black  
 550-0057 Gray  
 550-9959-DKG Dark Gray  
 550-9959-BEI Beige  
 (bagged individually)



**Extension Ring**  
 519-6570 White



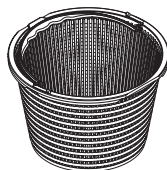
**Float Valve Assembly**  
 542-6200 White



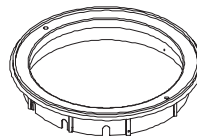
**Equalizer Valve**  
 540-6010



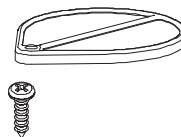
**Lid Assembly**  
 540-6460WW White  
 540-6467WW Gray  
 540-6469WW-B Beige



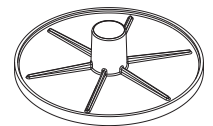
**Skimmer Basket**  
 542-3240 White



**Mounting Ring**  
 519-6420 White  
 519-6427 Gray  
 519-6429-BEI Beige



**Diverter Plate & Screw**  
 519-6470  
 819-4350



**Vacuum Plate**  
 519-6480

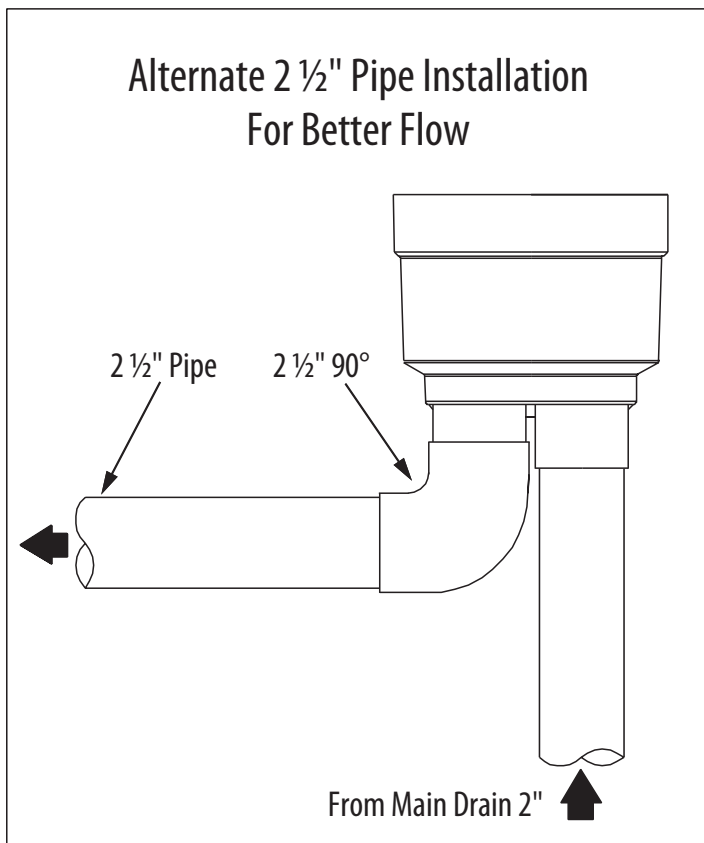
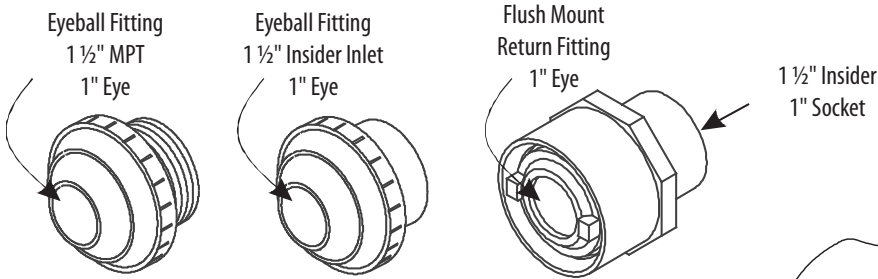
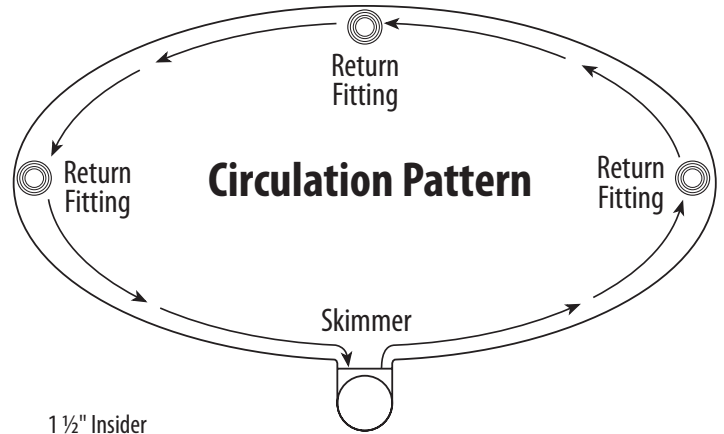


2200 East Sturgis Road, Oxnard, CA 93030 • Ph. (805) 981-0262 • Fax (805) 981-9403

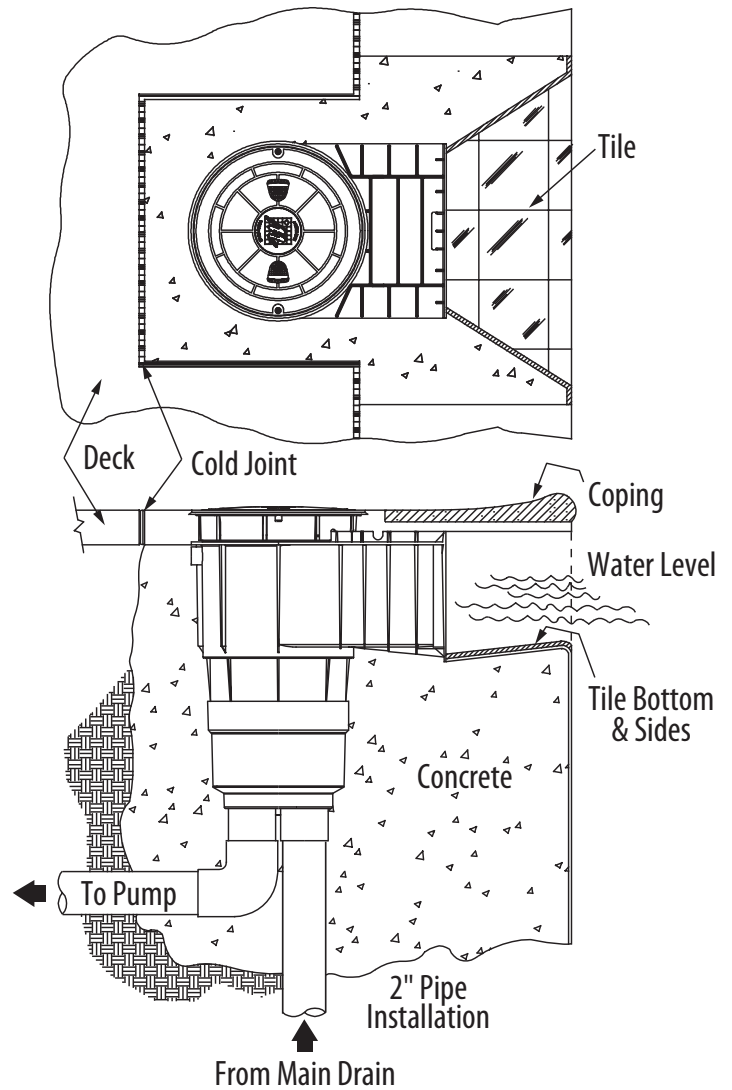
www.waterwayplastics.com • waterway@waterwayplastics.com

# SKIMMER INSTALLATION

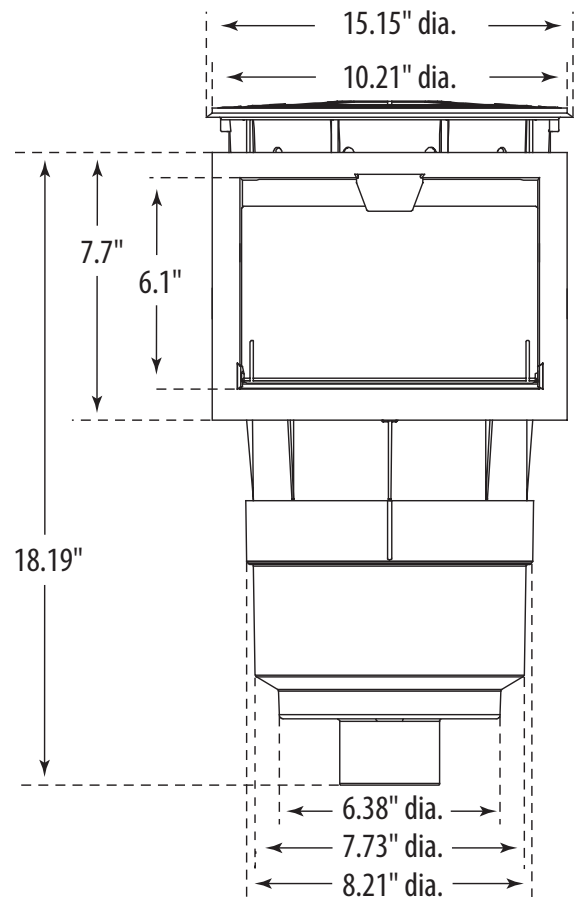
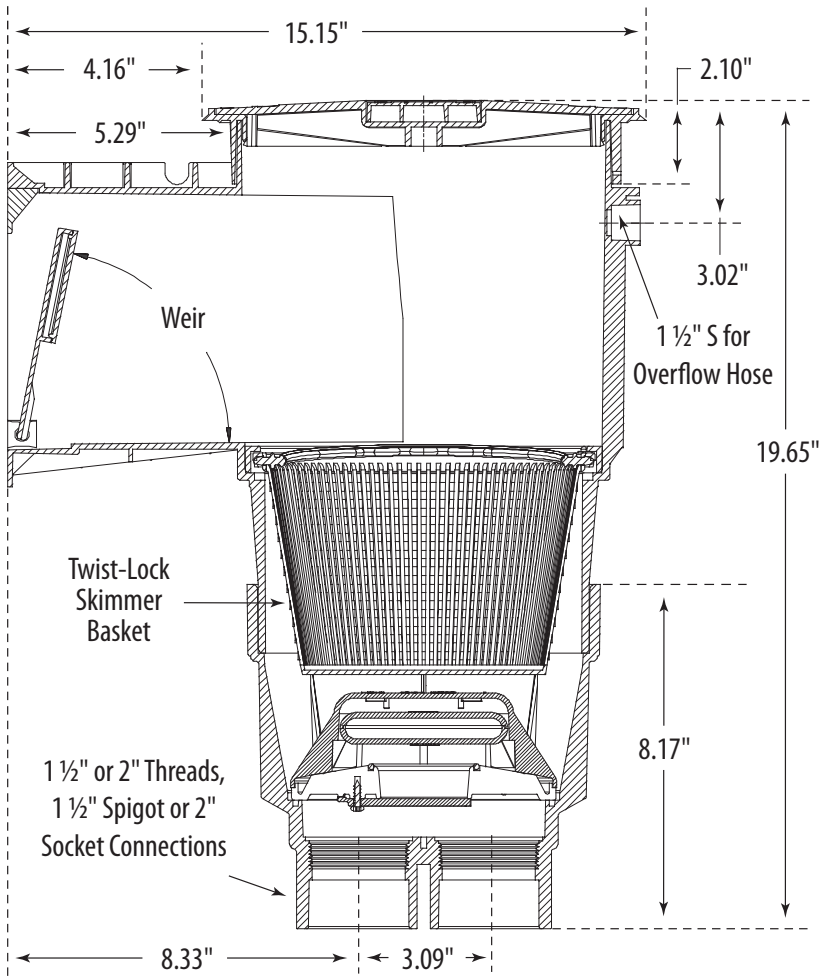
For the Skimmer to work most effectively, it must be positioned pertinent to the prevailing wind and drift, the pool shape, and the water circulation pattern. The function of directional inlet fittings will ensure the appropriate circulation pattern. See diagrams.



For 1 1/2" or FPT Skimmer (2" Spigot) best results are 1 1/2" pipe to drain and 2" 90° for pump.

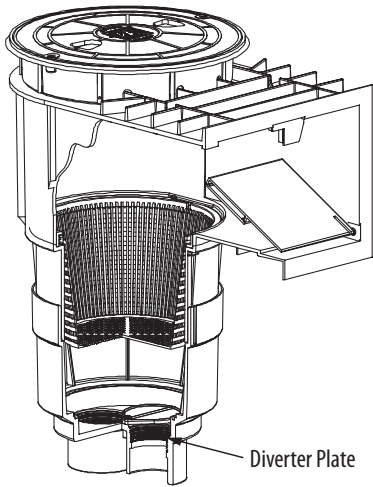


# SKIMMER DIMENSIONS



**FOR COMMERCIAL:**  
Use Equalizer Valve and Float Valve.

# SKIMMER WITH DIVERTER PLATE



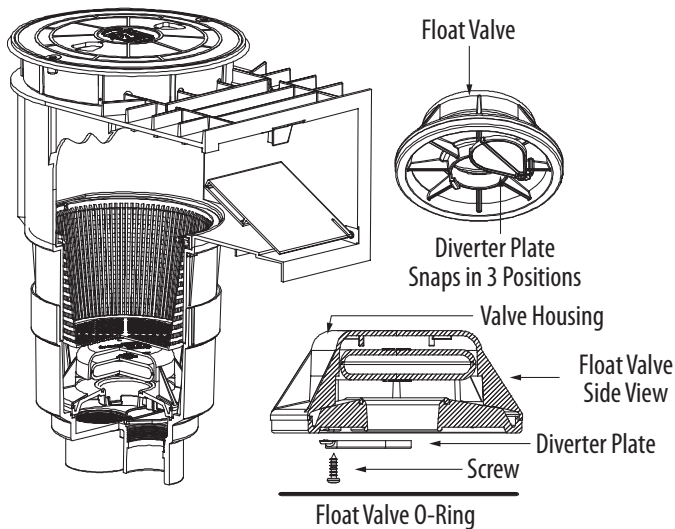
## FLOW ADJUSTMENT

For full flow, slide the diverter plate until it is fully open. To adjust flow, slide diverter plate to desired position over pump outlet.

## TO VACUUM

Remove the cover and the basket. Screw the hose adapter into the pump outlet. Fill the vacuum hose with water and insert over the hose adapter.

# SKIMMER WITH FLOAT VALVE (OPTIONAL)



When using the Float Valve Assembly, water is drawn by the suction of the pump from the surface of the pool and the main drain line. The flow is balanced by the diverter plate located under the Float Valve Assembly. If obstruction or evaporation occurs, causing a significant reduction of flow over the weir, the float will automatically snap shut. This diverts all flow to the pump from the main drain line and prevents possible air lock. When the pump is shut off or water level condition has been remedied, the float will rise back to the top of the assembly, allowing for normal operation of the flow.

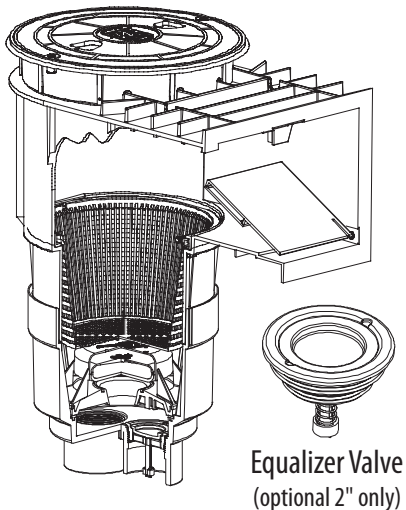
## TO SWEEP/BRUSH

To divert all suction of the main drain, simply hold the wire above the normal operation level and allow the float to snap shut. Or lift the Float Valve Assembly out, close the diverter plate and replace. To reset float after sweeping, turn off pump for about 10-15 seconds and allows the float to rise back up.

## TO VACUUM

Remove the cover, basket, and the Float Valve Assembly. Screw the hose adapter into the pump outlet. Fill the vacuum hose with water and insert over the hose adapter.

# SKIMMER WITH FLOAT VALVE & EQUALIZER VALVE (REQUIRED FOR COMMERCIAL USE)



Equalizer Check Valve Assembly screws into the main drain port and is used in conjunction with the Float Valve Assembly. If the water level drops below the skimmer opening, or the skimmer flow is obstructed, the float will automatically snap shut and the equalizer valve will open. This diverts all flow to the pump from the equalizer line and prevents airlock in the pump. When the pump is off, and the water level condition is corrected, the float valve will rise and the equalizer valve will open, allowing normal skimming operation when the pump is restarted.

## TO VACUUM

Select one convenient skimmer and remove the cover and Float Valve Assembly. Place the vacuum plate on the basket. Fill the vacuum hose with water and insert over the hose adapter. Throttle down the flow from the other skimmer(s) until desired suction is obtained through vacuum.